

circuit breaker 3VT2 standard breaking capacity $I_{cu}=36\text{kA}$, 415V AC
3-pole; circuit breaker w/o Electronic Trip Unit without auxiliary
release without auxiliary/alarm switch



Model

Product brand name	SENTRON
Product designation	3VT1_5 molded case circuit breakers
Design of the operating mechanism	toggle handle
Type of the driving mechanism / motor drive	No

General technical data

Number of poles	3
Size of the circuit-breaker	3VT2
Electrical endurance (switching cycles) / typical	3 000
Usage category	A
Performance class for circuit breaker	N
Mechanical service life (switching cycles) / typical	30 000
Operating frequency / maximum	120 1/h

Voltage

Insulation voltage / rated value	690 V
Surge voltage resistance / rated value	8 kV

Protection class

Protection class IP	IP40
---------------------	------

Dissipation	
Power loss [W] / for rated value of the current / at AC / in hot operating state / per pole	6 W
Current	
Operating current / at 45 °C / rated value	250 A
Continuous current / rated value	250 A
Derating temperature / for the rated value of the continuous current	70 °C
Main circuit	
Operating frequency	
• 1 / rated value	50 Hz
• 2 / rated value	60 Hz
Operating current	
• at 40 °C / rated value	250 A
• at 50 °C / rated value	250 A
• at 55 °C / rated value	250 A
• at 60 °C / rated value	250 A
• at 65 °C / rated value	250 A
• at 70 °C / rated value	250 A
Auxiliary circuit	
Number of CO contacts / for auxiliary contacts	0
Number of NC contacts / for auxiliary contacts	0
Number of NO contacts / for auxiliary contacts	0
Suitability	
Suitability for use	Contact unit without release
• Disconnecting means	Yes
Product details	
Product component	
• Trip indicator	No
• Auxiliary switch	No
• Voltage trigger	No
• undervoltage release	No
• undervoltage release with leading contact	No
Product extension / optional / motor drive	Yes
Product function	
Product function	
• Ground fault protection	No
• for neutral conductors / Short-circuit and overload proof	No
• Phase failure detection	No

- Overload protection

No

Short circuit

Operational short-circuit current breaking capacity (Ics)	
<ul style="list-style-type: none"> • at 240 V / rated value • at 415 V / rated value • at 500 V / rated value • at 690 V / rated value 	<p>30 kA</p> <p>18 kA</p> <p>8 kA</p> <p>5 kA</p>
Maximum short-circuit current breaking capacity (Icu)	
<ul style="list-style-type: none"> • at 240 V / rated value • at 415 V / rated value • at 500 V / rated value • at 690 V / rated value 	<p>60 kA</p> <p>36 kA</p> <p>16 kA</p> <p>10 kA</p>

Connections

Arrangement of electrical connectors / for main current circuit	front side
Type of electrical connection / for main current circuit	screw-type terminals

Mechanical Design

Height	225 mm
Width	105 mm
Depth	117 mm
Mounting type	fixed mounting
Mounting position	with vertical mounting surface +/-180° rotatable, with vertical mounting surface +/- 30° tiltable to the front and back
Net weight	3.314 kg

Environmental conditions

Ambient temperature / during operation	
<ul style="list-style-type: none"> • minimum • maximum 	<p>-40 °C</p> <p>70 °C</p>
Ambient temperature / during storage	
<ul style="list-style-type: none"> • minimum • maximum 	<p>-40 °C</p> <p>70 °C</p>

Certificates

Reference code	
<ul style="list-style-type: none"> • acc. to DIN EN 61346-2 • acc. to DIN EN 81346-2 	<p>Q</p> <p>Q</p>

General Product Approval	Declaration of Conformity	Test Certificates	other	
--------------------------	---------------------------	-------------------	-------	--



CCC



EG-Konf.

[Type Test Certificates/Test Report](#)

[Miscellaneous](#)

[Manufacturer Declaration](#)

Further information

Information- and Downloadcenter (Catalogs, Brochures,...)

<http://www.siemens.com/lowvoltage/catalogs>

Industry Mall (Online ordering system)

<https://mall.industry.siemens.com/mall/en/en/Catalog/product?mlfb=3VT2725-2AA36-0AA0>

Service&Support (Manuals, Certificates, Characteristics, FAQs,...)

<https://support.industry.siemens.com/cs/ww/en/ps/3VT2725-2AA36-0AA0>

Image database (product images, 2D dimension drawings, 3D models, device circuit diagrams, ...)

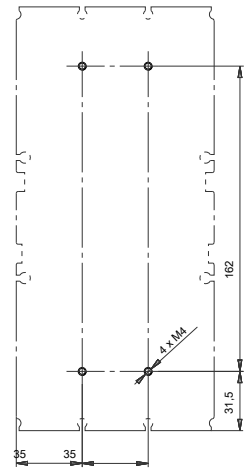
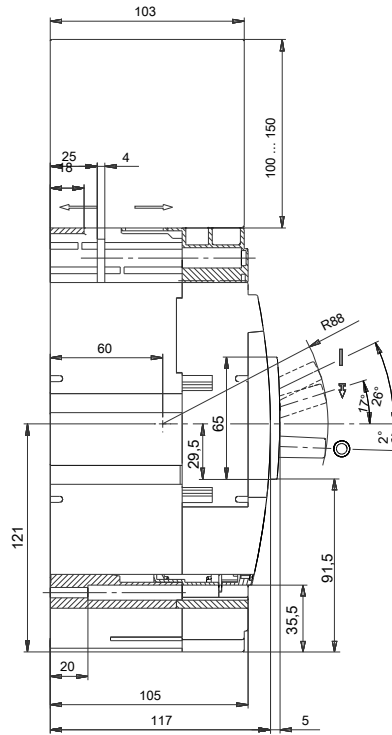
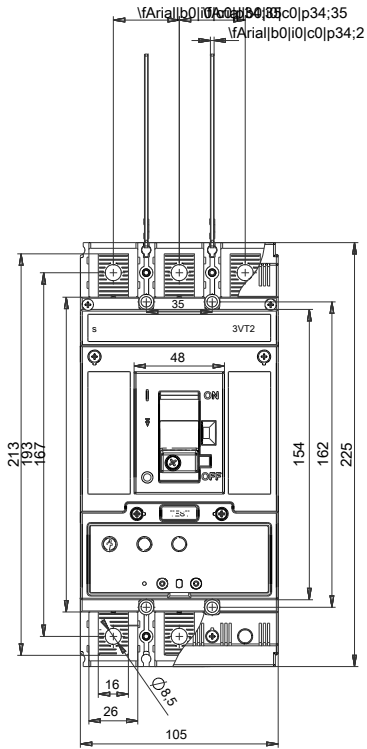
http://www.automation.siemens.com/bilddb/cax_en.aspx?mlfb=3VT2725-2AA36-0AA0

CAX-Online-Generator

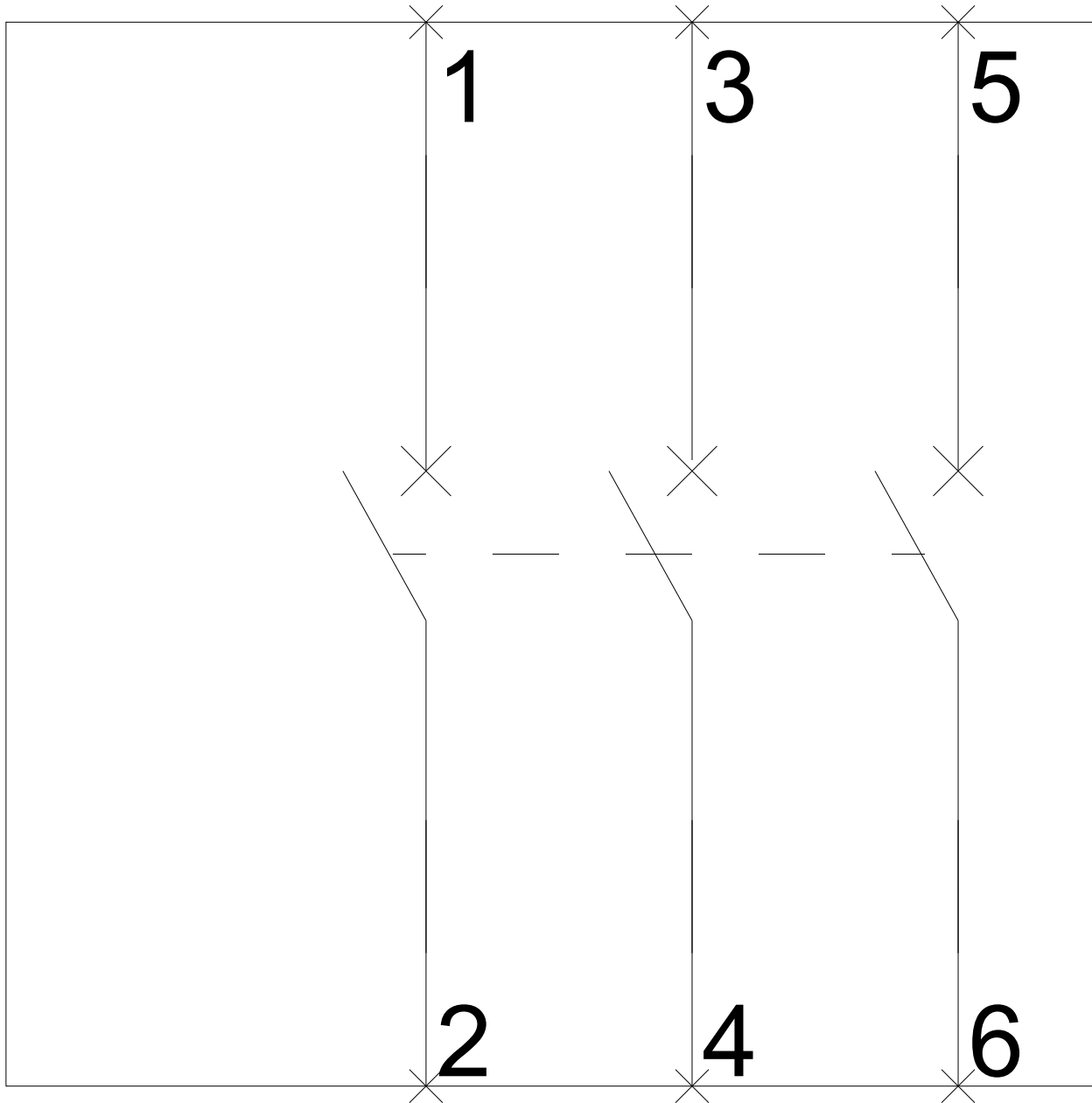
<http://www.siemens.com/cax>

Tender specifications

<http://www.siemens.com/specifications>



-Q



-Q

